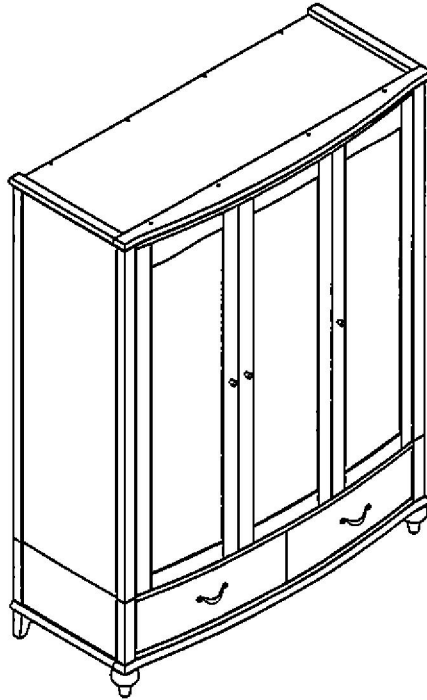


TRIPLE WARDROBE

Stock number: 629X-83

Thank you for purchasing this product. Please read the instructions carefully before use to ensure safe and satisfactory operation of this product.



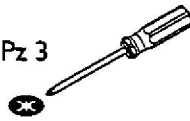
Pre-assembly preparation

Please ensure instructions are read in full before attempting to assemble this product.

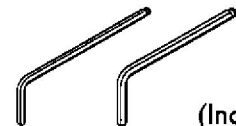
Necessary Tools : Pozi screwdriver and Phillips screwdriver



Pz 2 or Pz 3



Ph 2



(Included)

Please check the pack contents before attempting to assemble this product. A full checklist of components is given in this leaflet. If any components are missing, please contact the retailer from whom you bought this product.

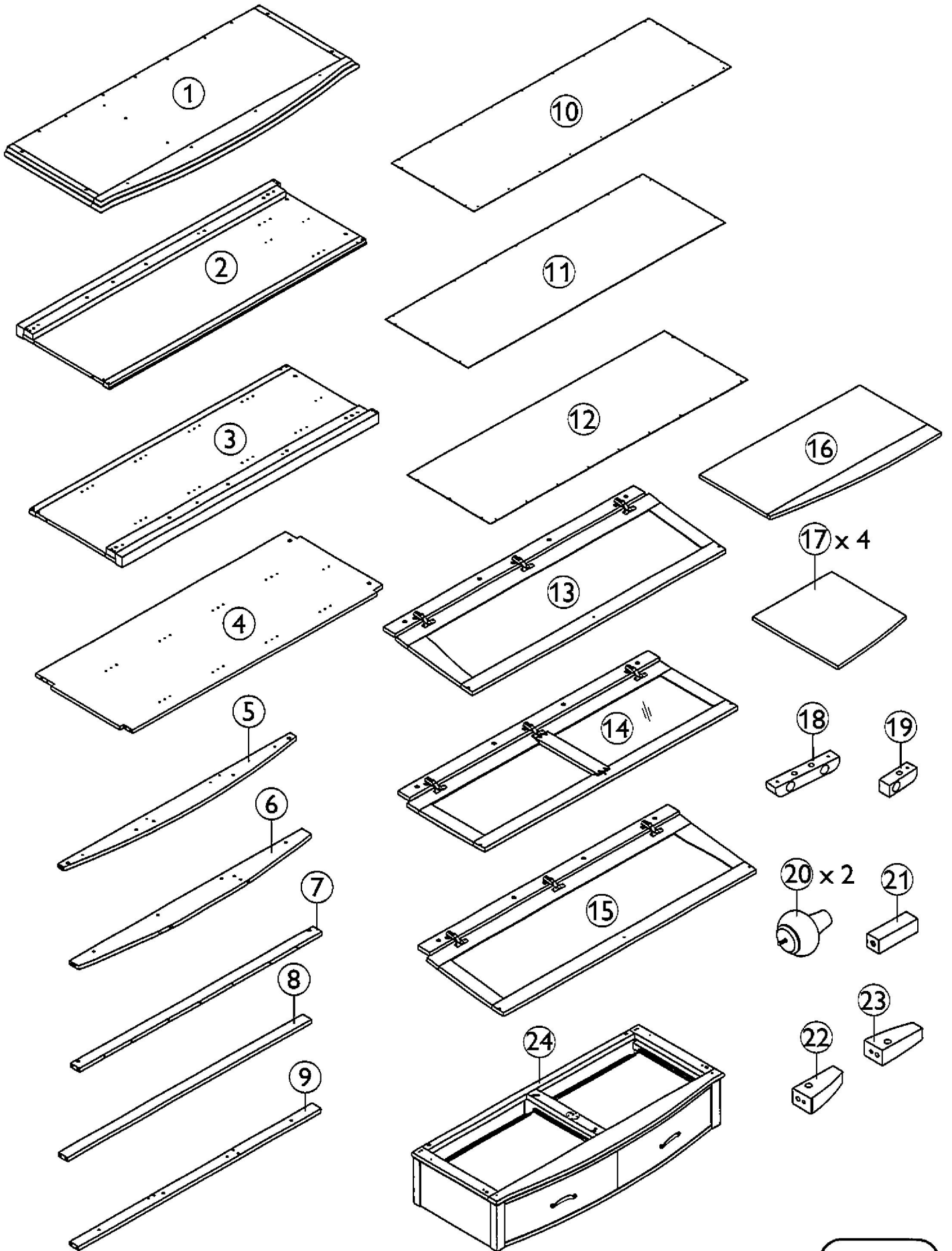
This product takes approximately **60 MINUTES** to assemble with **2 PEOPLE**.

All assembly should be performed on a flat, stable, clean and soft surface.

This product is **HEAVY**, it should be assembled as near as possible to the point of use. **TAKE CARE WHEN LIFTING** to avoid personal injury and (or) damage to the product.

The fitting pack contains **SMALL ITEMS** which should be **KEPT AWAY FROM YOUNG CHILDREN**.

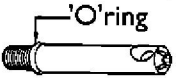









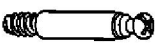
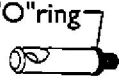





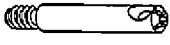



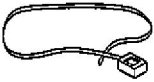


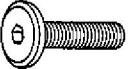
IMPORTANT: Retain these instructions for future reference.



Parts checklist

Item	Description	Qty.	Item	Description	Qty.
1	Top frame	x 1	13	Left door	x 1
2	Left side panel	x 1	14	Center door	x 1
3	Right side panel	x 1	15	Right door	x 1
4	Partition	x 1	16	Large adjustable shelf	x 1
5	Top front rail	x 1	17	Small adjustable shelf	x 4
6	Bottom front rail	x 1	18	Left door stopper	x 1
7	Top back rail	x 1	19	Right door stopper	x 1
8	Middle back rail	x 1	20	Front leg	x 2
9	Bottom back rail	x 1	21	Center leg	x 1
10	Back panel left	x 1	22	Left back leg	x 1
11	Back panel center	x 1	23	Right back leg	x 1
12	Back panel right	x 1	24	Base	x 1

Fittings checklist

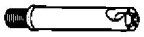
A	Small steel dowel Ø7 x 49.5mm		x 4	P	Long hanger rail		x 1
B	Small grub screw		x 8	Q	Short hanger rail		x 1
C	Wooden dowel Ø8 x 30mm		x 24	R	Wood shelf support		x 20
D	Hanger rail support		x 6	S	Handle		x 3
E	Varianta screw Ø4.2 x 10.5mm		x 12	T	Round head bolt M4 x 25mm		x 3
F	Cam screw Ø7 x 44.5mm		x 6	U	Large steel dowel Ø10 x 48.5mm		x 2
G	Cam lock Ø15 x 12.5mm		x 6	V	Large grub screw		x 2
H	Round head screw Ø3.5 x 15mm		x 63	W	Allen key M5 x 30 x 107mm		x 1
J	Flat washer		x 9	Y	Small steel dowel Ø7 x 49.5mm		x 4
K	Hex head bolt Ø7 x 50mm		x 10	aa	Mounting plate		x 2
L	Round head screw Ø4 x 25mm		x 11	bb	Nylon strap		x 1
M	Allen key M4 x 30 x 107mm		x 1	cc	Flat head screw Ø4 x 17mm		x 2
N	Hex head bolt M6 x 25mm		x 12				

Step by step assembly instructions

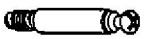
Step 1

- 1.1 : Lay all parts onto a flat, stable, clean and soft surface.
- 1.2 : Attach 4x steel dowels (A) into top frame (1) by screwing fittings (A) into the inset fittings that are located on parts (1) as shown. Use a pozi screwdriver to turn fittings (A) clockwise to fix. Ensure the direction of the holes on fittings (A) are facing correctly as per diagram.
- 1.3 : Attach 4x steel dowels (Y) into top panel side panels (2) & (3) by screwing fittings (Y) into the pre-drilled holes on parts (2) & (3) as shown. Use a pozi screwdriver to turn fittings (Y) clockwise to fix. Ensure the direction of the holes on fittings (Y) are facing correctly as per diagram.
- 1.4 : Attach 5x cam screws (F) into the pre-drilled holes on parts (1), (2) & (3) as shown. Use a pozi screwdriver to turn fittings (F) clockwise to fix.
- 1.5 : Attach 3x hanger rail supports (D) onto the pre-drilled holes on parts (2) & (3) using 6x varianta screws (E) as shown. Use a screwdriver to turn fittings (E) clockwise to fix.

Fitting



A x 4



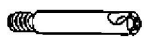
F x 5



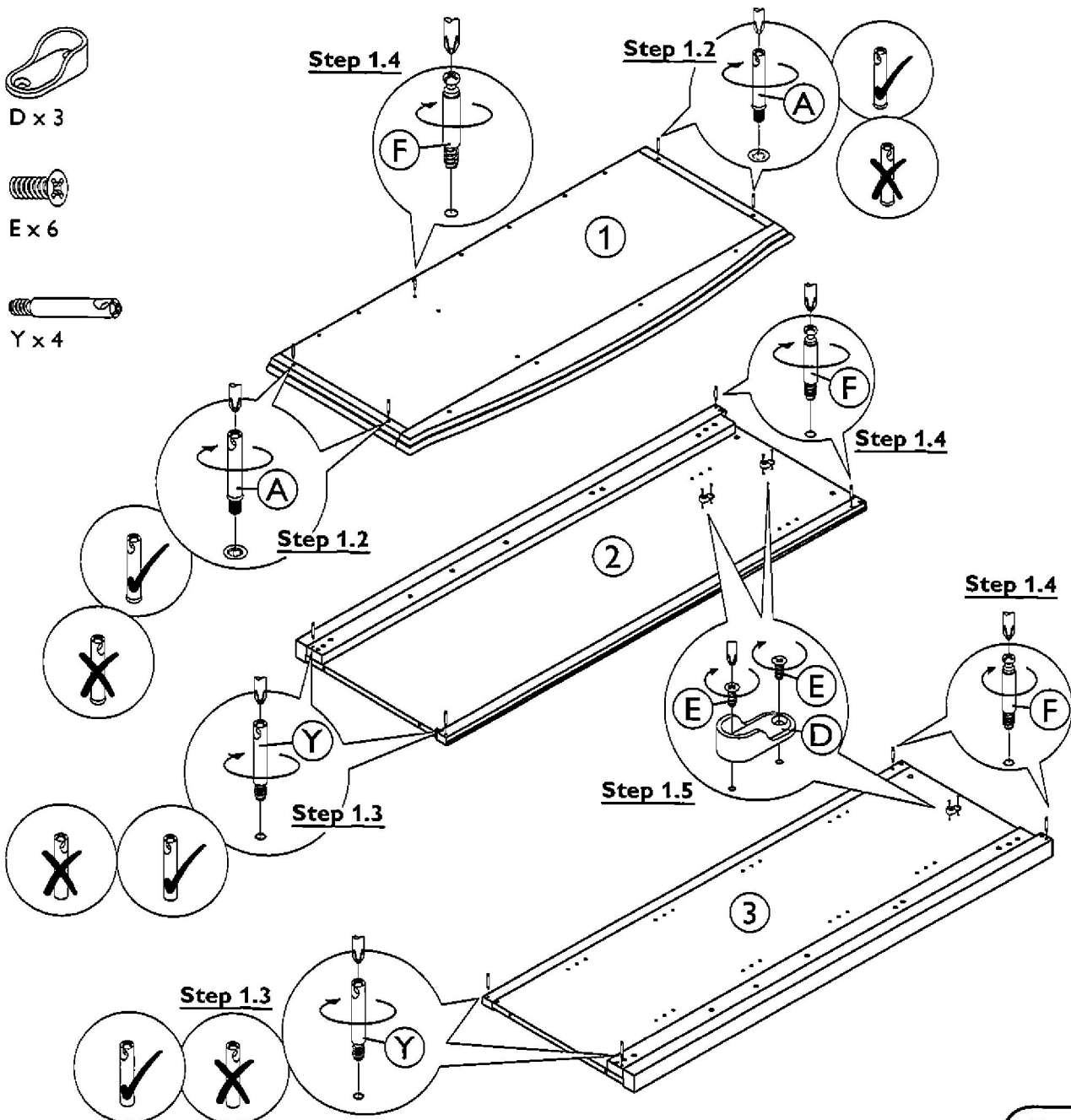
D x 3



E x 6

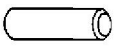


F x 4



Step by step assembly instructions

- Step 2**
- 2.1 : Insert 22x wooden dowels (C) into the pre-drilled holes on parts (4), (5), (6), (7), (8), (9), (18) & (19) as shown.
 - 2.2 : Attach 3x hanger rail supports (D) onto the pre-drilled holes on part (4) using 6x varianta screws (E) as shown. Use a screwdriver to turn fittings (E) clockwise to fix.
 - 2.3 : Attach 1x cam screws (F) into the pre-drilled holes on parts (5) as shown. Use a pozi screwdriver to turn fittings (F) clockwise to fix.



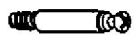
C x 22



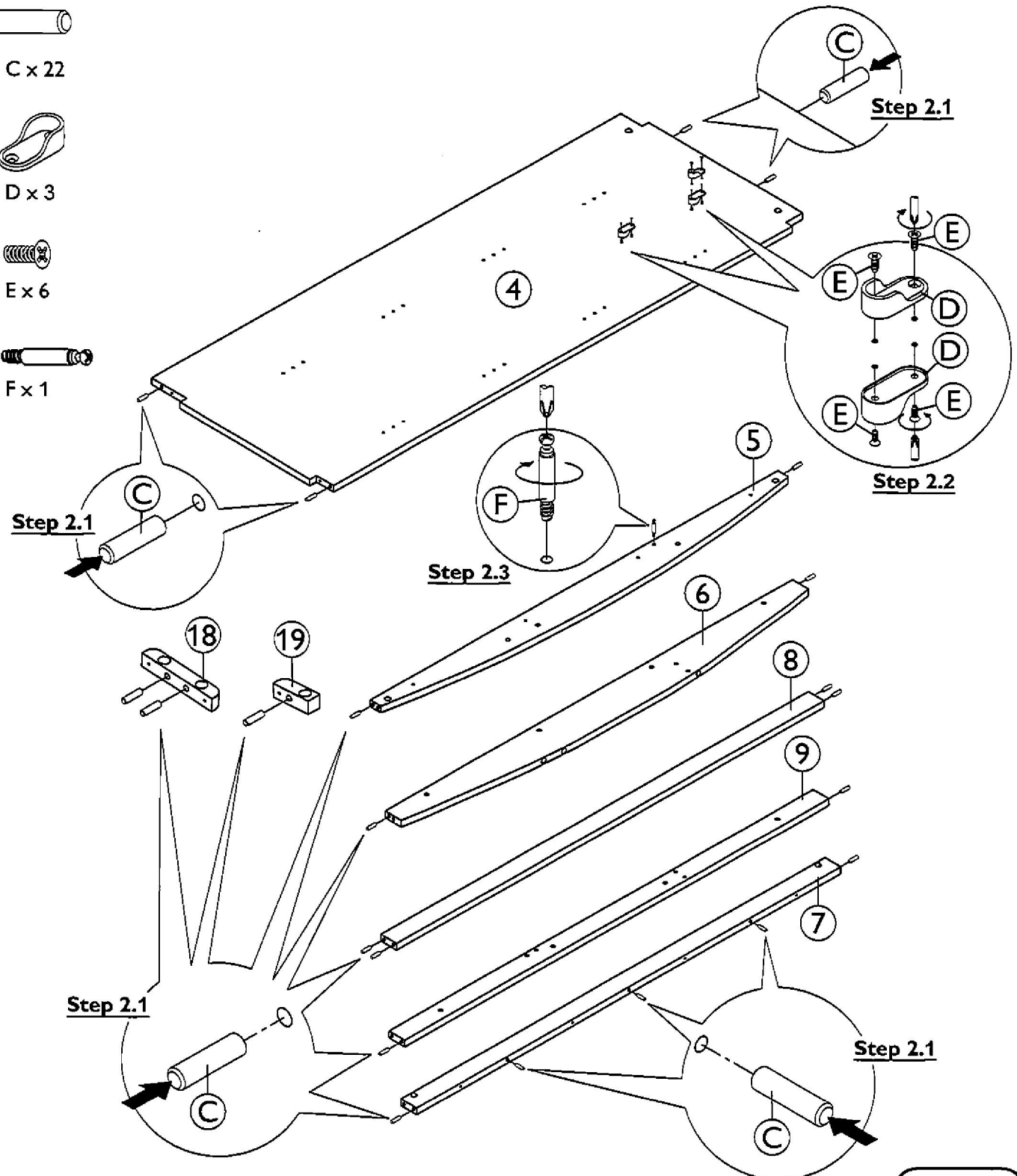
D x 3



E x 6



F x 1



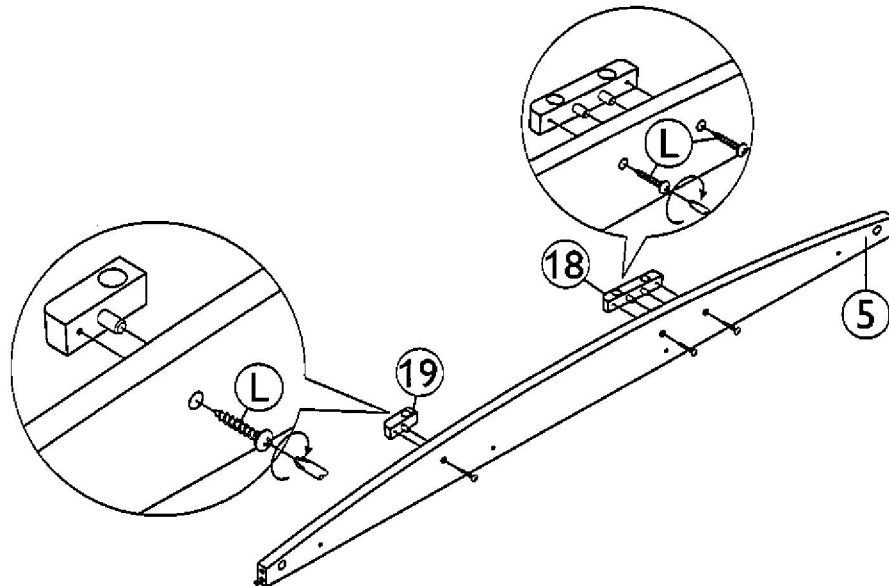
Step by step assembly instructions

- Step 3**
- 3.1 : Attach door stoppers (18) & (19) onto top front rail (5) as shown. Ensure dowels (C) are aligned correctly with the holes of mating parts before attaching.
- 3.2 : Secure parts (18) & (19) to part (5) using 3x round head screws (L). Use a screwdriver to turn fittings (L) clockwise to fix.

Fitting



L x 3

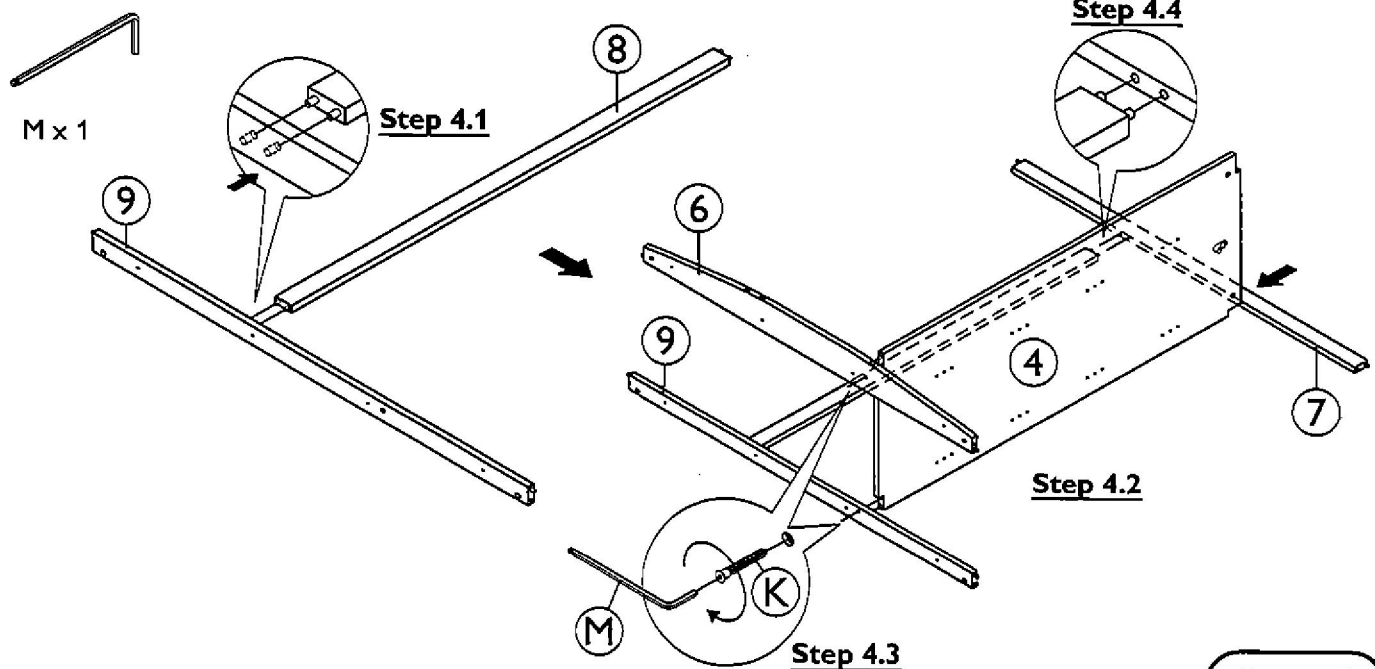


- Step 4**
- 4.1 : Attach middle back rail (8) to bottom back rail (9) as shown. Ensure wooden dowels (C) are aligned correctly with the holes of mating parts before attaching.
- 4.2 : Attach partition (4) to the structure assembled in **step 4.1** and bottom front rail (6) as shown. Ensure wooden dowels (C) are aligned correctly with the holes of mating parts before attaching.
- 4.3 : Secure part (4) to parts (6) & (9) using 2x hex head bolt (K). Use an allen key (M) to turn fittings (K) clockwise to fix.
- 4.4 : Attach top back rail (7) to the structure assembled in **step 4.1** as shown. Ensure wooden dowels (C) are aligned correctly with the holes of mating parts before attaching.

Fitting



K x 2



Step by step assembly instructions

Step 5 5.1 : Attach top front rail (5) and the structure assembled in **Step 4** onto right side panel (3) as shown. Ensure steel dowel (Y), cam screws (F) and wooden dowels (C) are aligned correctly with the holes of mating parts before attaching.

Fitting

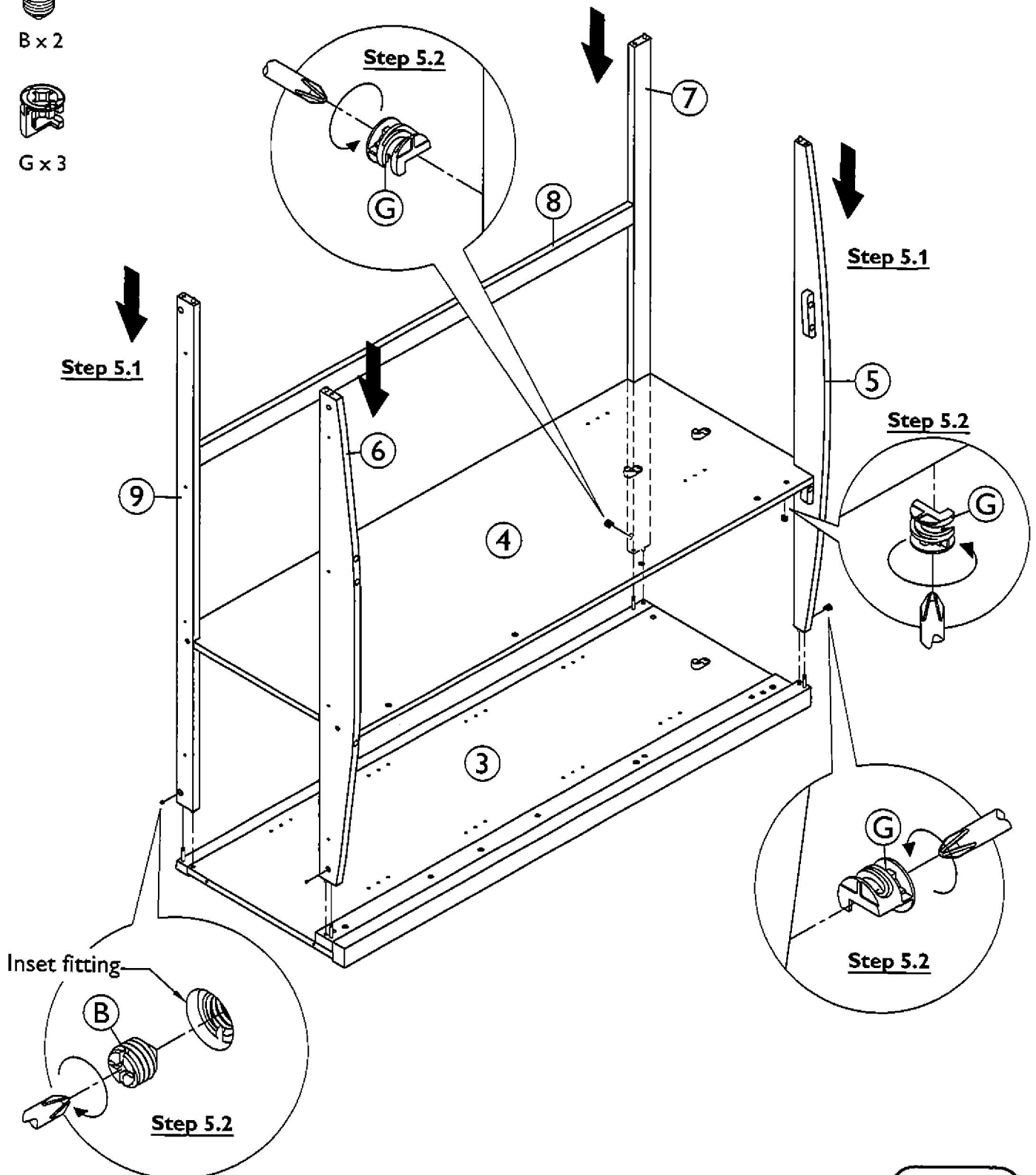
5.2 : Secure parts (5) & (7) to part (3) & (4) using 3x cam locks (G), parts (6) & (9) to part (3) using 2x grub screws (B) as shown. Use a pozi screwdriver to turn fittings (B) & (G) clockwise to fix.



B x 2



G x 3



Step by step assembly instructions

- Step 6**
- 6.1 : Attach left side panel (2) onto the structure assembled in **Step 5** as shown. Ensure steel dowel (Y), cam screws (F) and wooden dowels (C) are aligned correctly with the holes of mating parts before attaching.
- 6.2 : Secure part (2) to parts (5) & (7) using 2x cam locks (G), part (2) to parts (6) & (9) using 2x grub screws (B) as shown. Use a pozi screwdriver to turn fittings (B) & (G) clockwise to fix.

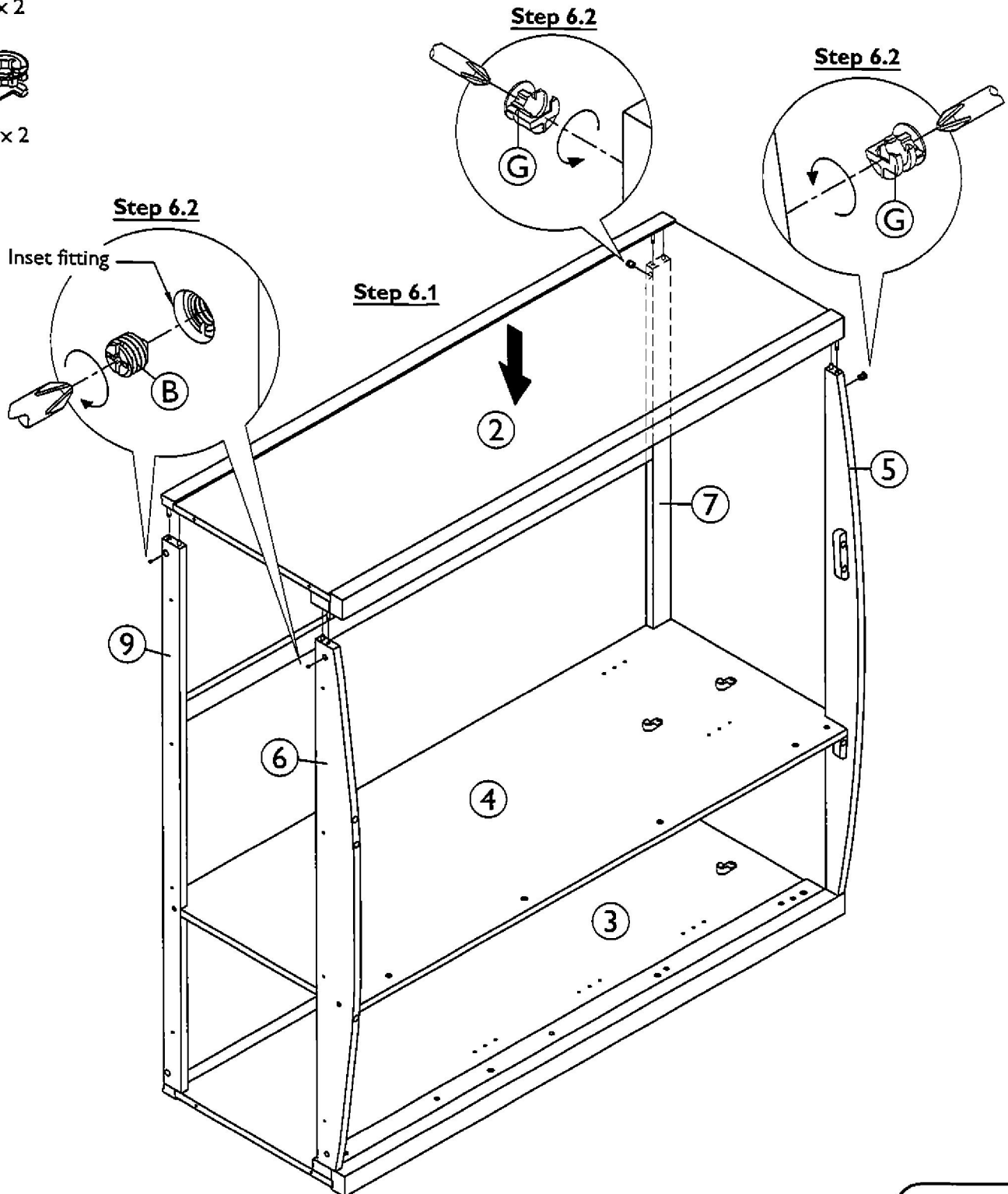
Fitting



B x 2



G x 2



Step by step assembly instructions

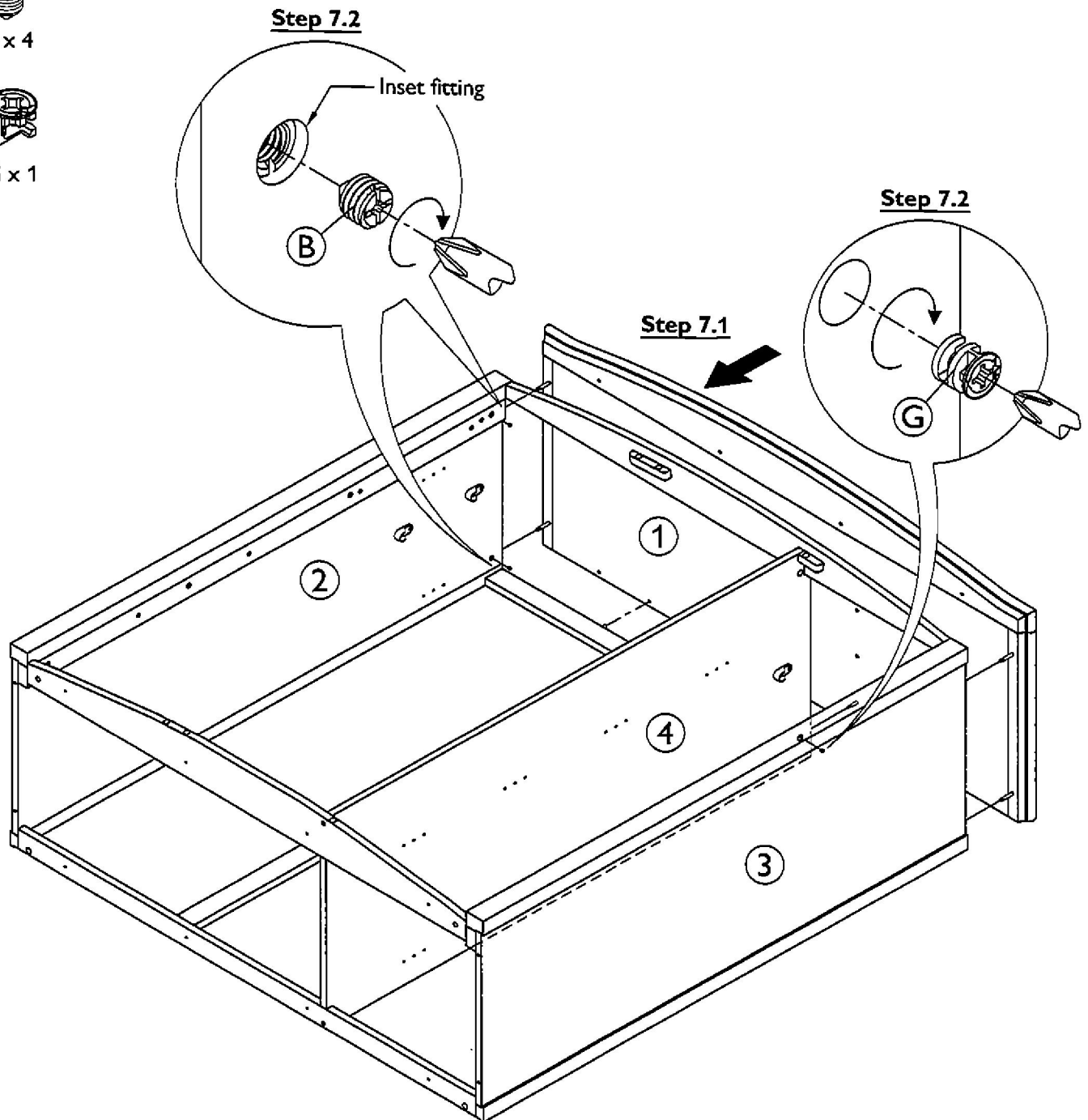
- Step 7**
- 7.1 : Attach top frame (1) onto the structure assembled in **Step 6** as shown. Ensure steel dowel (A), cam screws (F) and wooden dowels (C) are aligned correctly with the holes of mating parts before attaching.
- 7.2 : Secure part (1) to parts (2) & (3) using 4x grub screws (B), part (1) to part (4) using 1x cam locks (G) as shown. Use a pozi screwdriver to turn fittings (B) & (G) clockwise to fix.



B x 4



G x 1



Step by step assembly instructions

Step 7 Continue

7.3 : Secure part (1) to top front rail (5) & top back rail (7) using 8x Hex head bolt (K). Use an allen key (M) to turn fittings (K) clockwise to fix.

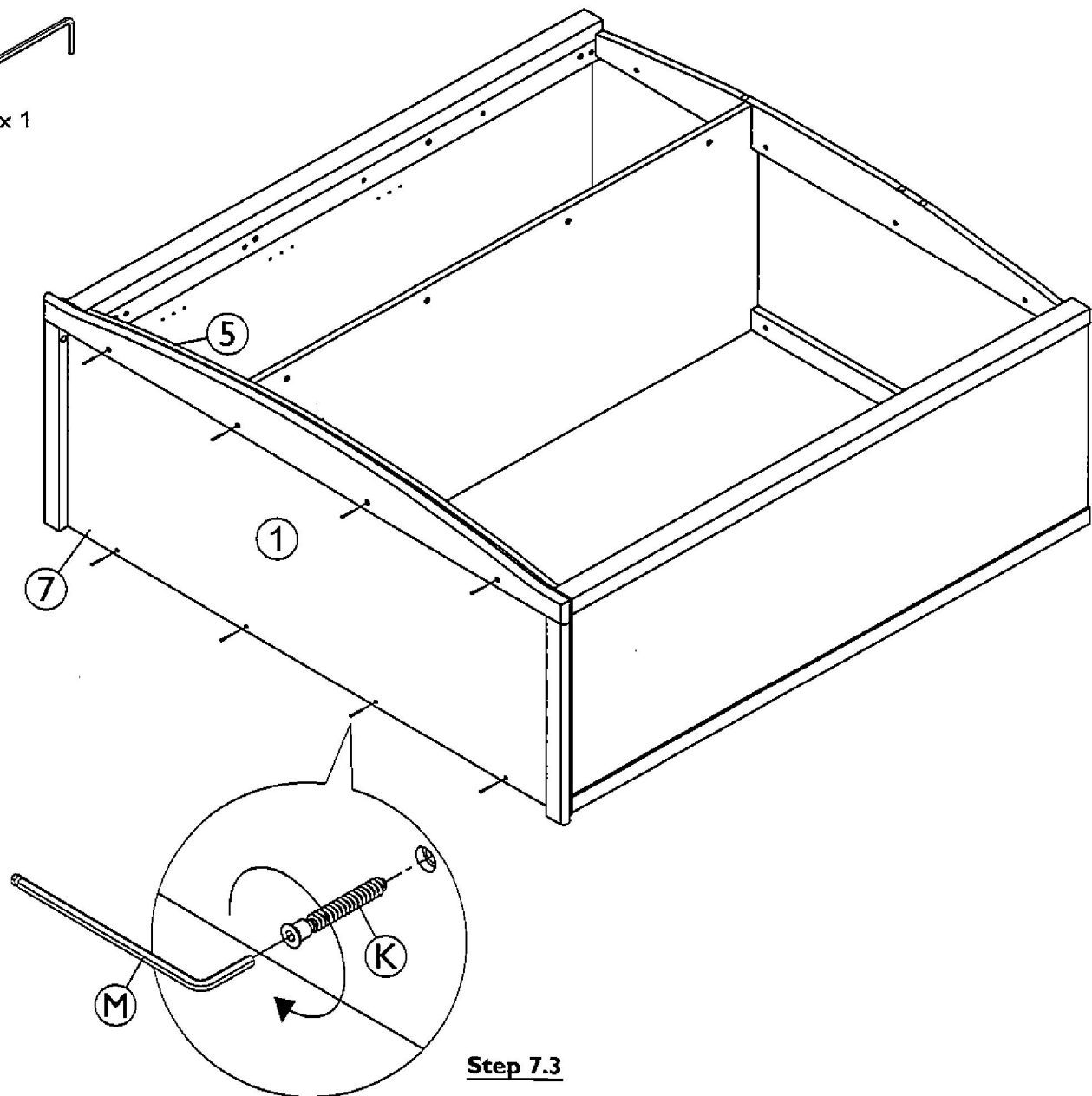
Fitting



K x 8



M x 1



Step 7.3

Step by step assembly instructions

- Step 8**
- 8.1 : With help of assistant, carefully stand the unit upright so the back side of the unit is facing as shown.
- 8.2 : Attach back panels (10), (11) & (12) along outer edges onto back side of the unit using 54x round head screws (H) as shown. Use a screwdriver to turn fittings (H) clockwise to fix.
- 8.3 : Secure vertical gap using 9x round head screws (H) with 9x flat washers (J) as shown. Use a screwdriver to turn fittings (H) clockwise to fix.

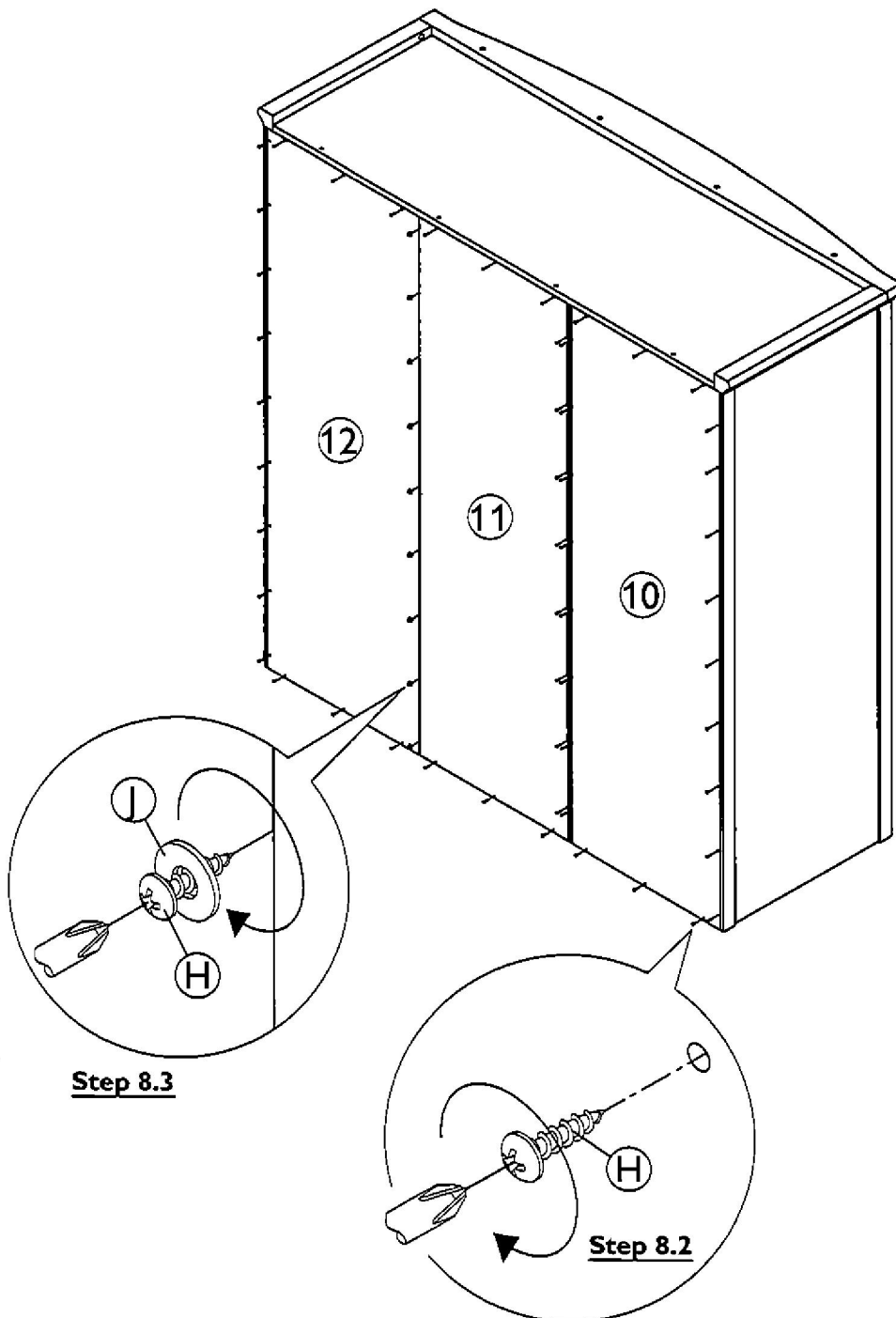
Fitting



H x 63



J x 9



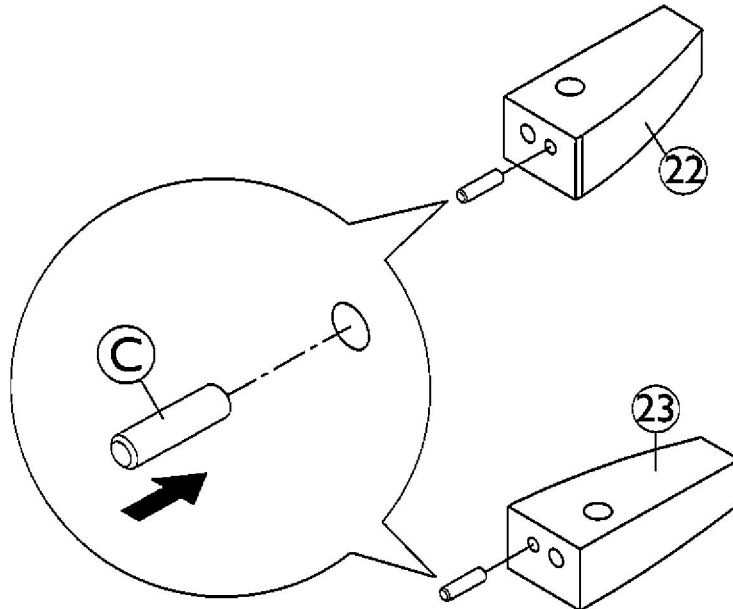
Step By Step Assembly Instructions

Step 9 Insert 2x wooden dowels (C) into the pre-drilled holes on back legs (22) & (23) as shown.

Fitting

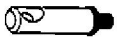


C x 2

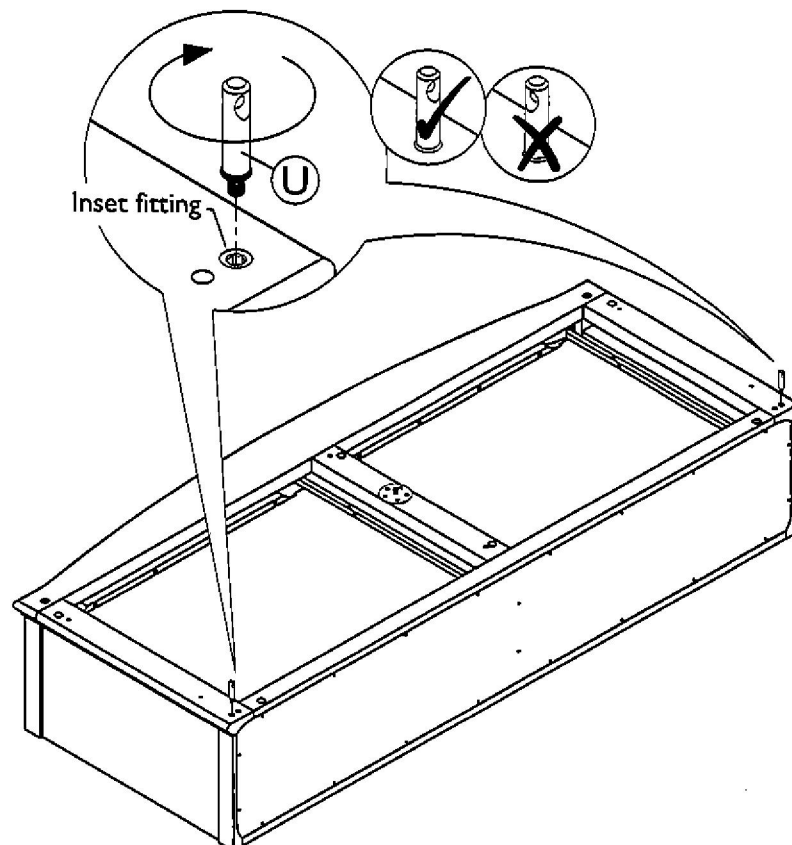


Step 10 : Insert 2x large steel dowels (U) into base by screwing fittings (U) into the inset fittings that are located on base as shown. Ensure the holes on fittings (U) are facing the correct direction as per diagram.

Fitting



U x 2



Step By Step Assembly Instructions

Step 11

- 11.1 : Screw front legs (20) into the fitting that is concealed in the pre-drilled hole on base as shown. Continue to re-tighten until the leg is securely fastened.
- 11.2 : Attach back legs (22) & (23) onto base as shown. Ensure steel dowels (U) are aligned correctly with the holes of mating parts before attaching.
- 11.3 : Secure parts (22) & (23) to base using 2x grub screws (V) as shown. Use allen key (W) to turn fittings (V) clockwise to fix.
- 11.4 : Screw center leg (21) into metal mounting plate as shown.
- 11.5 : Stand the unit upright.

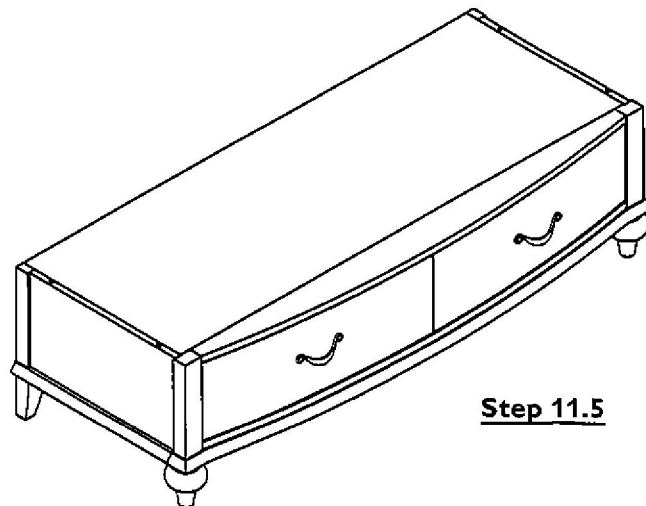
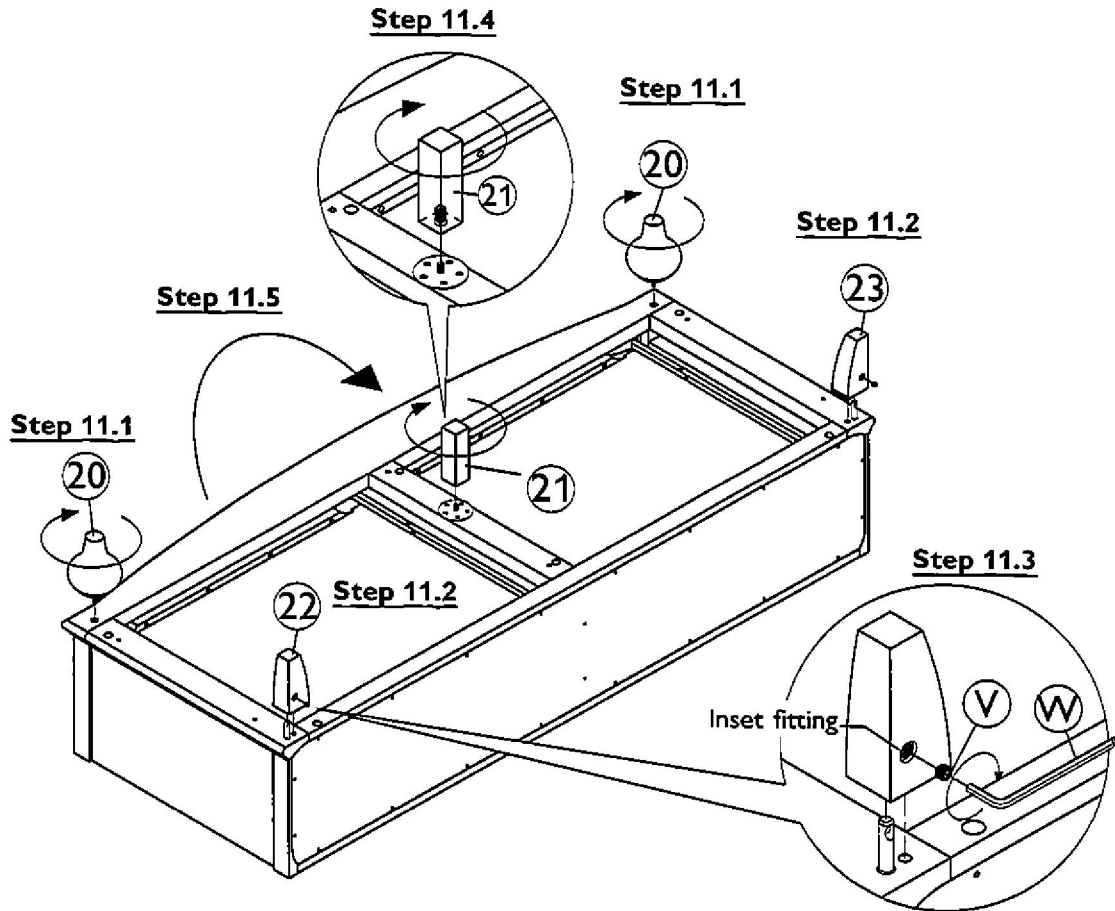
Fitting



V x 2



W x 1

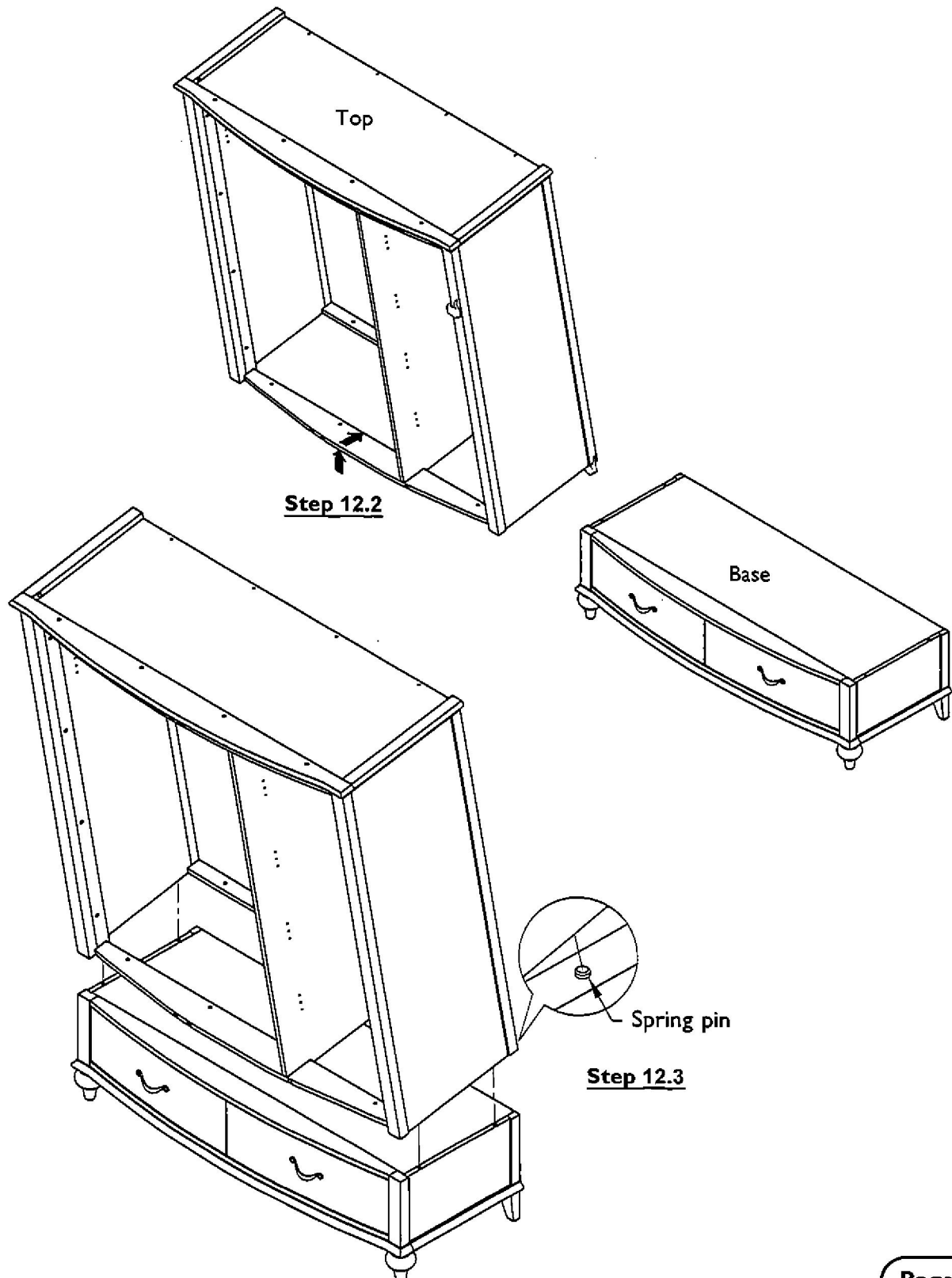


Step 11.5

Step by step assembly instructions

Step 12

- 12.1 : **Note:** This product is heavy, it should be assembled as near as possible to the point of use.
12.2 : With help of assistant, carefully lift the wardrobe top upwards over the wardrobe base.
12.3 : Carefully lower wardrobe top onto wardrobe base. Ensure the holes under wardrobe top are aligned correctly with the mating spring pins on wardrobe base to avoid damage as shown.



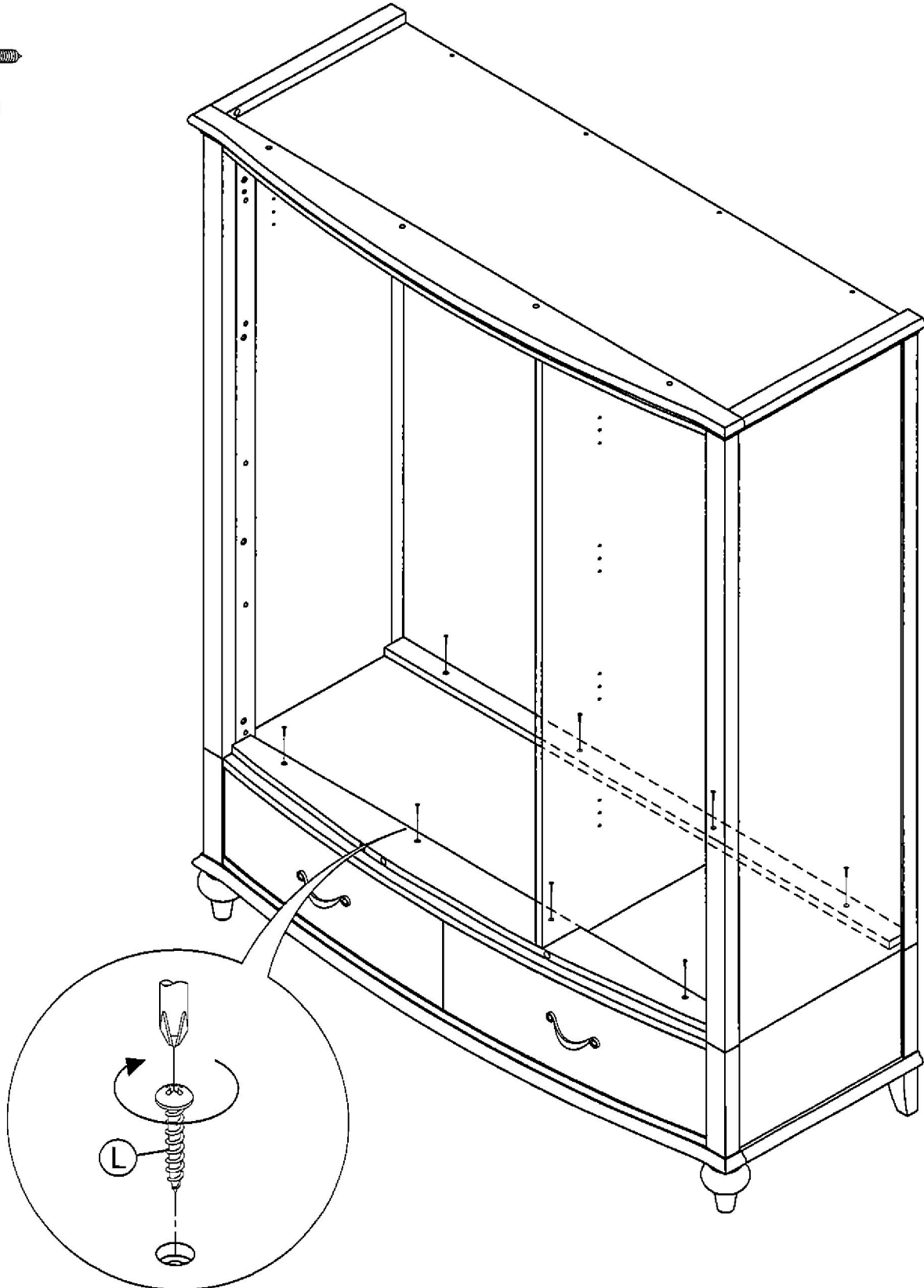
Step by step assembly instructions

- Step 13** : Secure wardrobe top to wardrobe base by screwing 8x round head screws (L) into the predrilled holes on back & front sides inside the unit as shown. Use a screwdriver to turn fittings (L) clockwise to fix.

Fitting



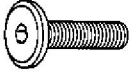
L x 8



Step by step assembly instructions

Step 14 Attach doors (13) & (15) to side panels (2) & (3) and doors (14) to partition (4) by screwing 12x hex head bolts (N) into inset fittings that are located on parts (13), (14) & (15) as shown. Ensure the holes on doors are aligned correctly with the mating spring pins on side panels before attaching. Use allen key (M) to turn fittings (N) clockwise to fix.

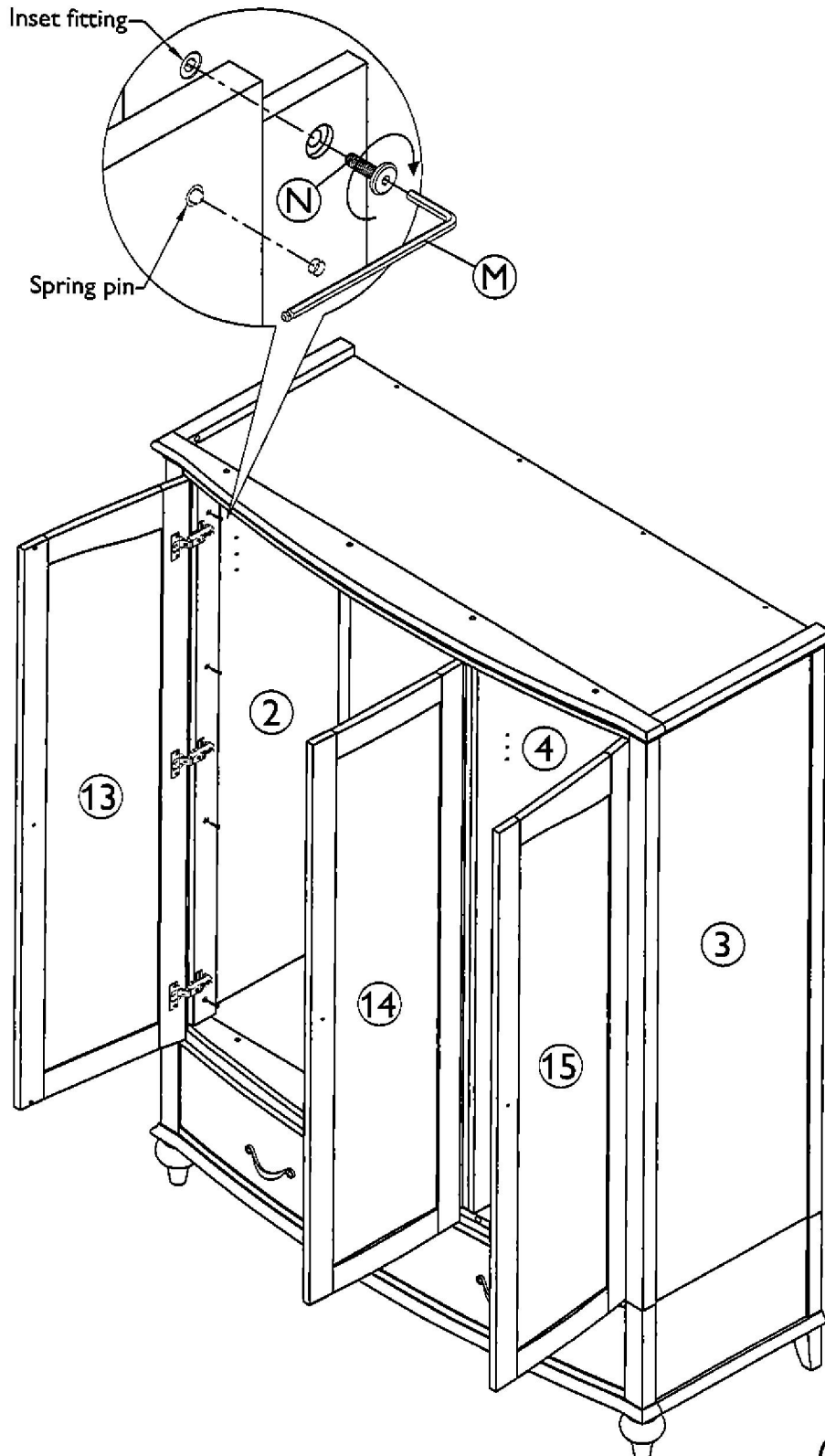
Fitting



N x 12



M x 1



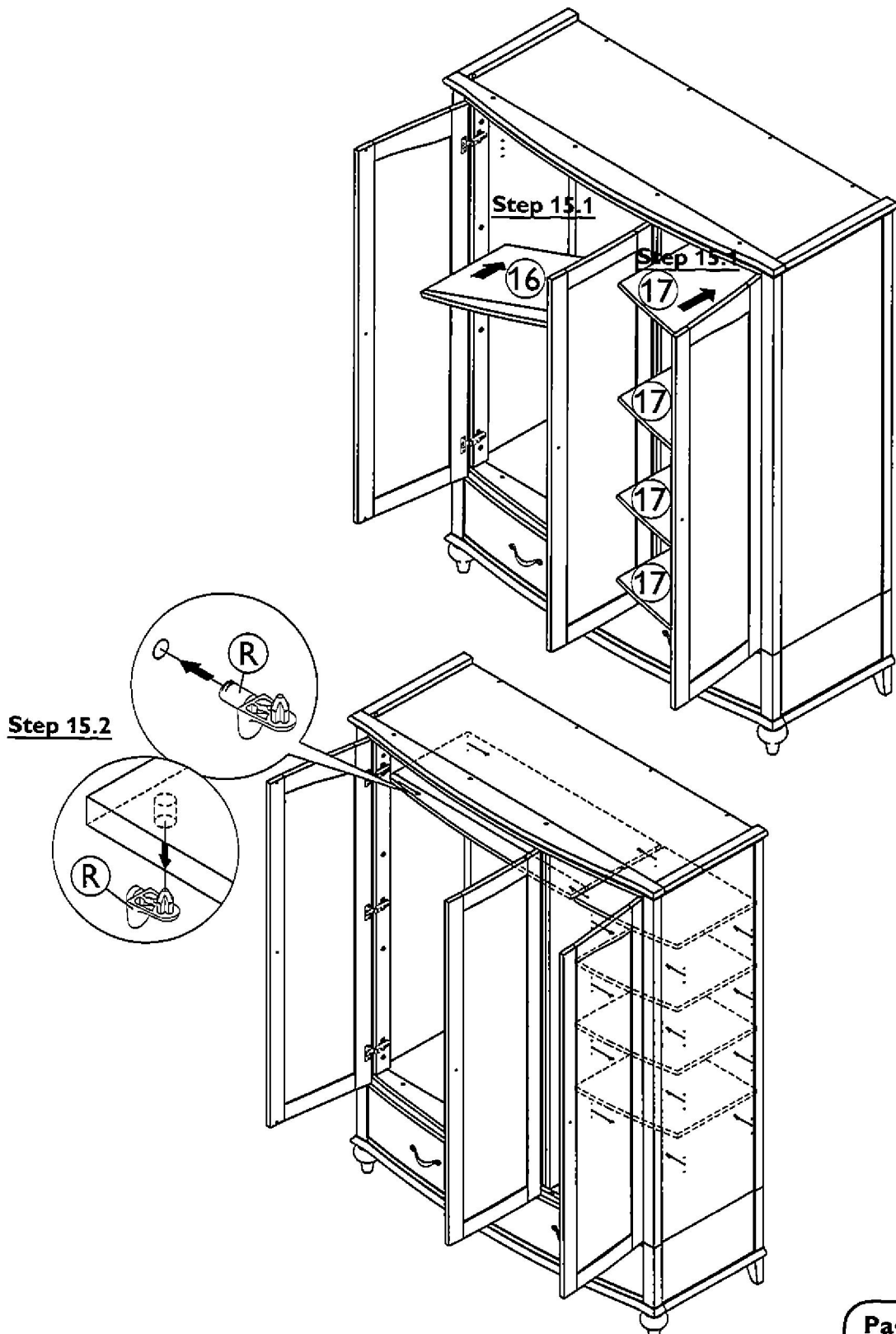
Step by step assembly instructions

- Step 15** 15.1 : Tilt adjustable shelves (16) & (17) to a suitable angle as shown in the picture so as to slide them in. Slide parts (16) & (17) into the unit. Ensure the holes on shelves are facing down.
- 15.2 : Insert 20x wood shelf supports (R) into the predrilled holes inside the unit as shown. Then place parts (16) & (17) with the holes facing down onto the previously attached wood shelf supports (R) as shown.

Fitting



R x 20



Step by step assembly instructions

- Step 16** 16.1 : Place hanger rails (P) & (Q) onto hanger rail supports (D) on left & right side panels and partition of unit as shown.
16.2 : Attach 3x handles (S) to doors (13), (14) & (15) using 3x round head bolts (T) as shown. Use a screwdriver to turn fittings (T) clockwise to fix.

Fitting



P x 1



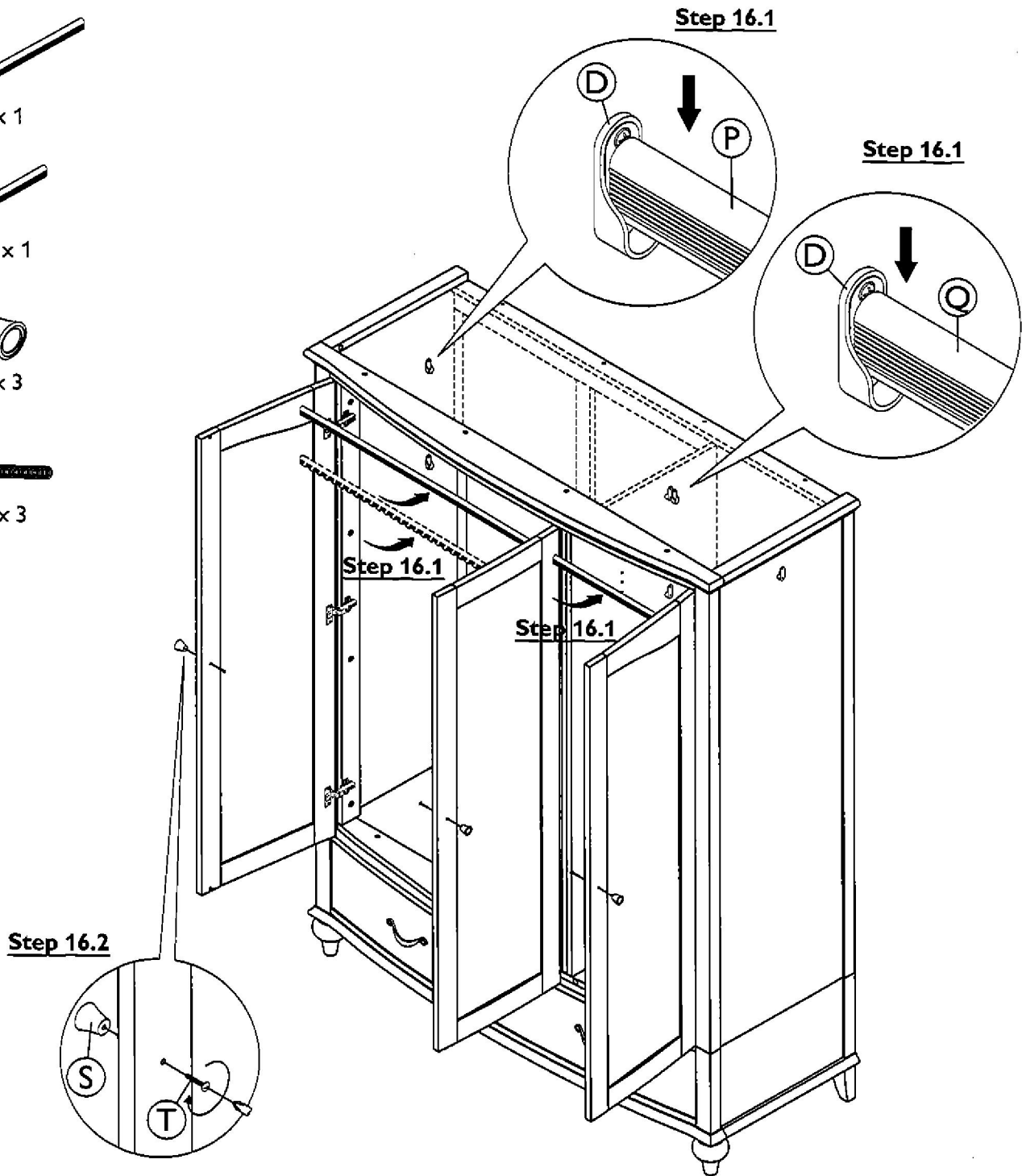
Q x 1



S x 3



T x 3

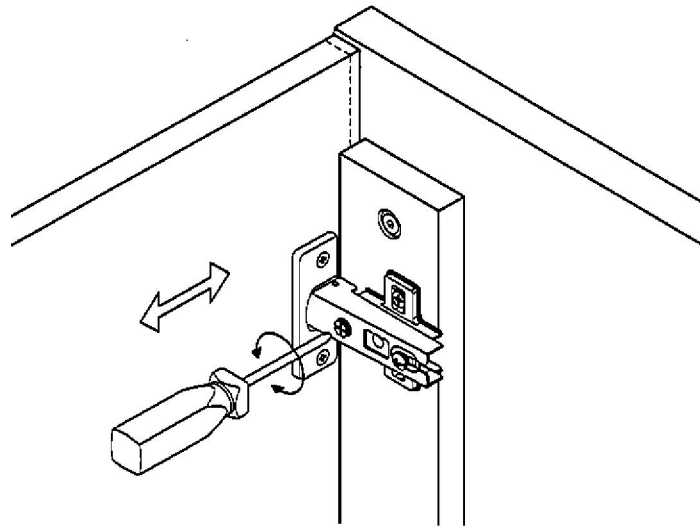


Assembly is complete

HINGE ADJUSTMENT INSTRUCTIONS

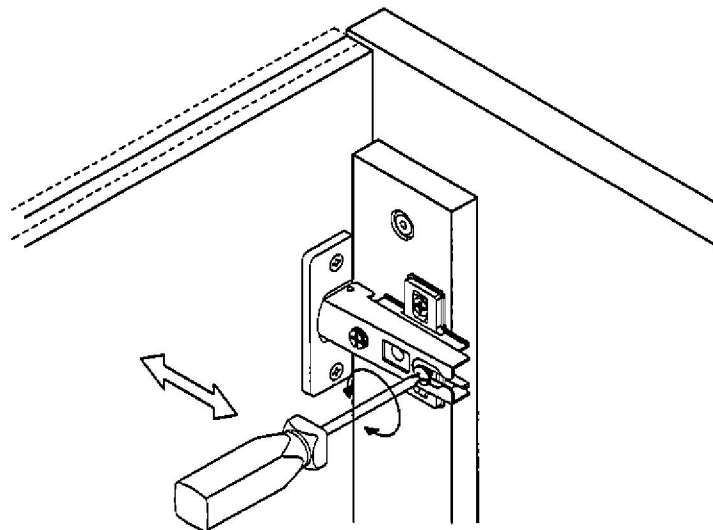
LATERAL ADJUSTMENT

by screw adjustment.



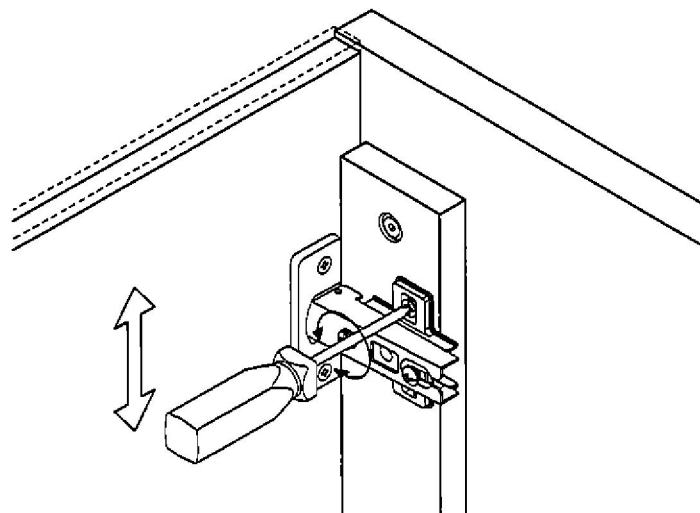
FRONT-TO-BACK

by slackening and retightening
the hinge-arm mounting screw.



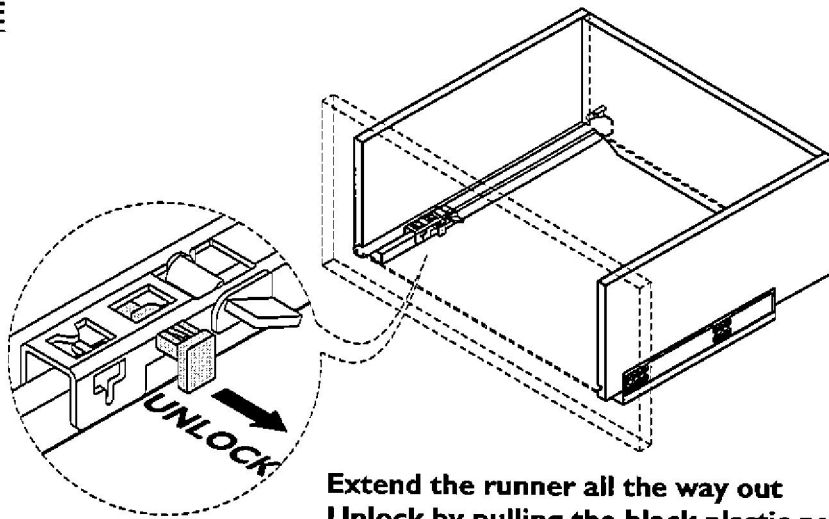
VERTICAL ADJUSTMENT

via slots on mounting
plate by slackening and
retightening the screws
on mounting plate

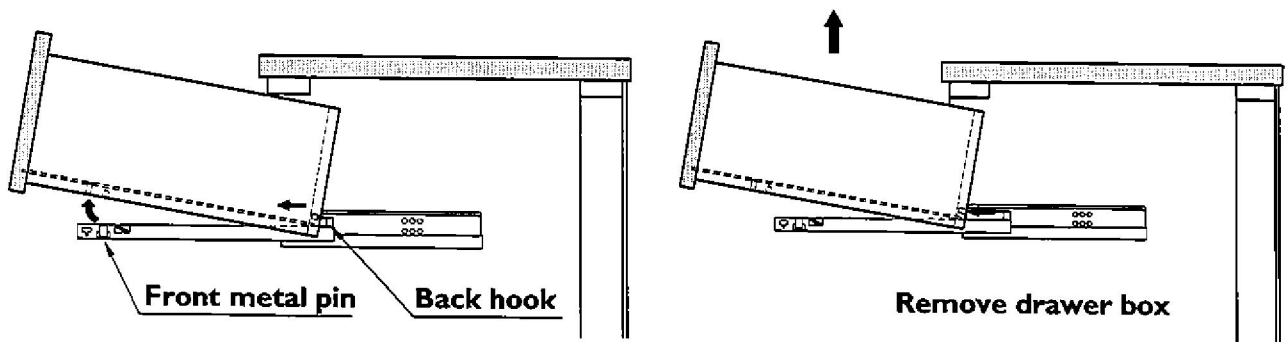


TANDEM RUNNER ADJUSTMENT INSTRUCTION

REMOVE

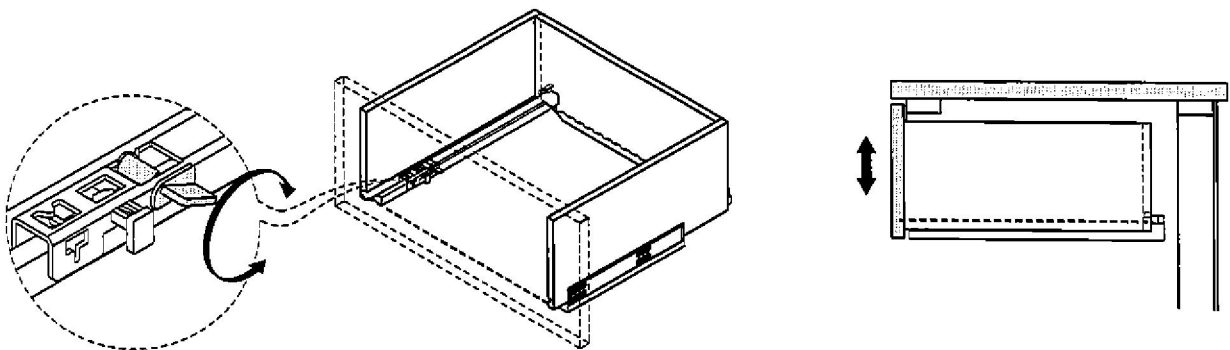


Extend the runner all the way out
Unlock by pulling the black plastic peg on the runner out



Hold both runners with both of your hands.
Carefully lift the drawer front up from the front metal pin, then slide forward to remove from back hooks

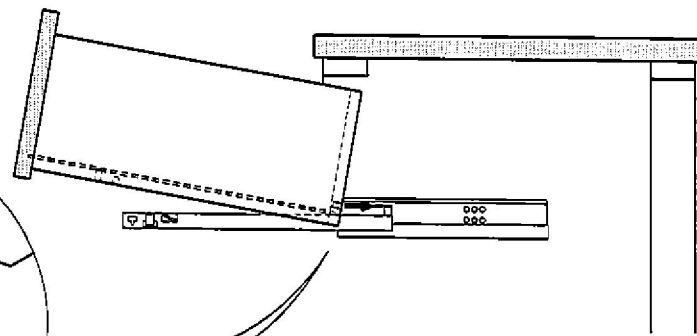
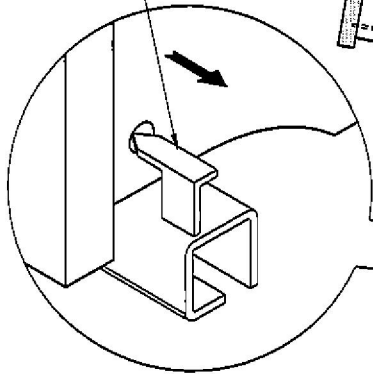
VERTICAL ADJUSTMENT ($\pm 2.5\text{mm}$)



TANDEM RUNNER ADJUSTMENT INSTRUCTION

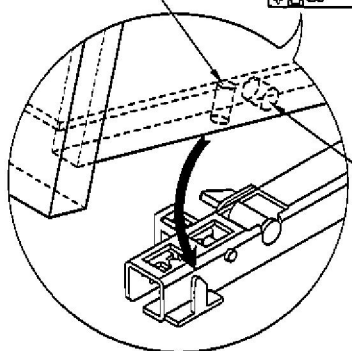
ASSEMBLE

Back hook

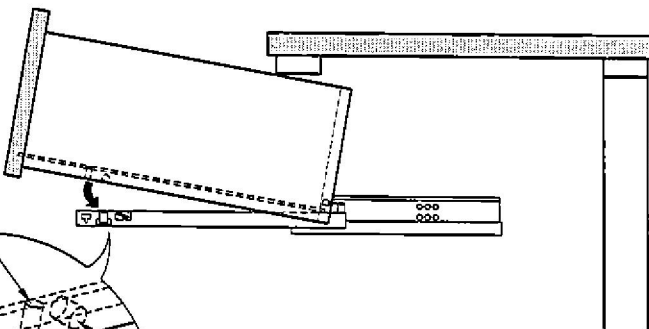


Extend the runner all the way out. Put the drawer onto them then hold both the runners with your hands, lift the drawer up with your thumbs and push to hook the drawer at the end of the runner

Hole/ Front metal pin

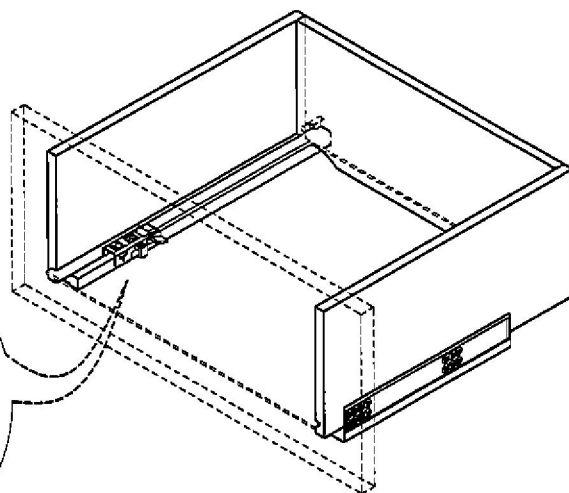
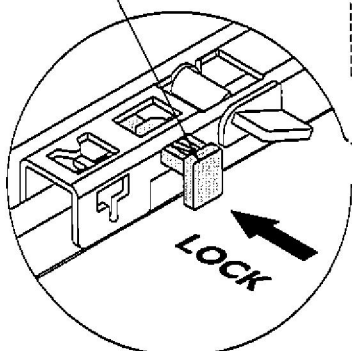


Hole/ Plastic peg



Once the back hook is connected gently lower the drawer onto the front metal pin

Black plastic peg



Lock it by pushing the black plastic peg on the runner in.

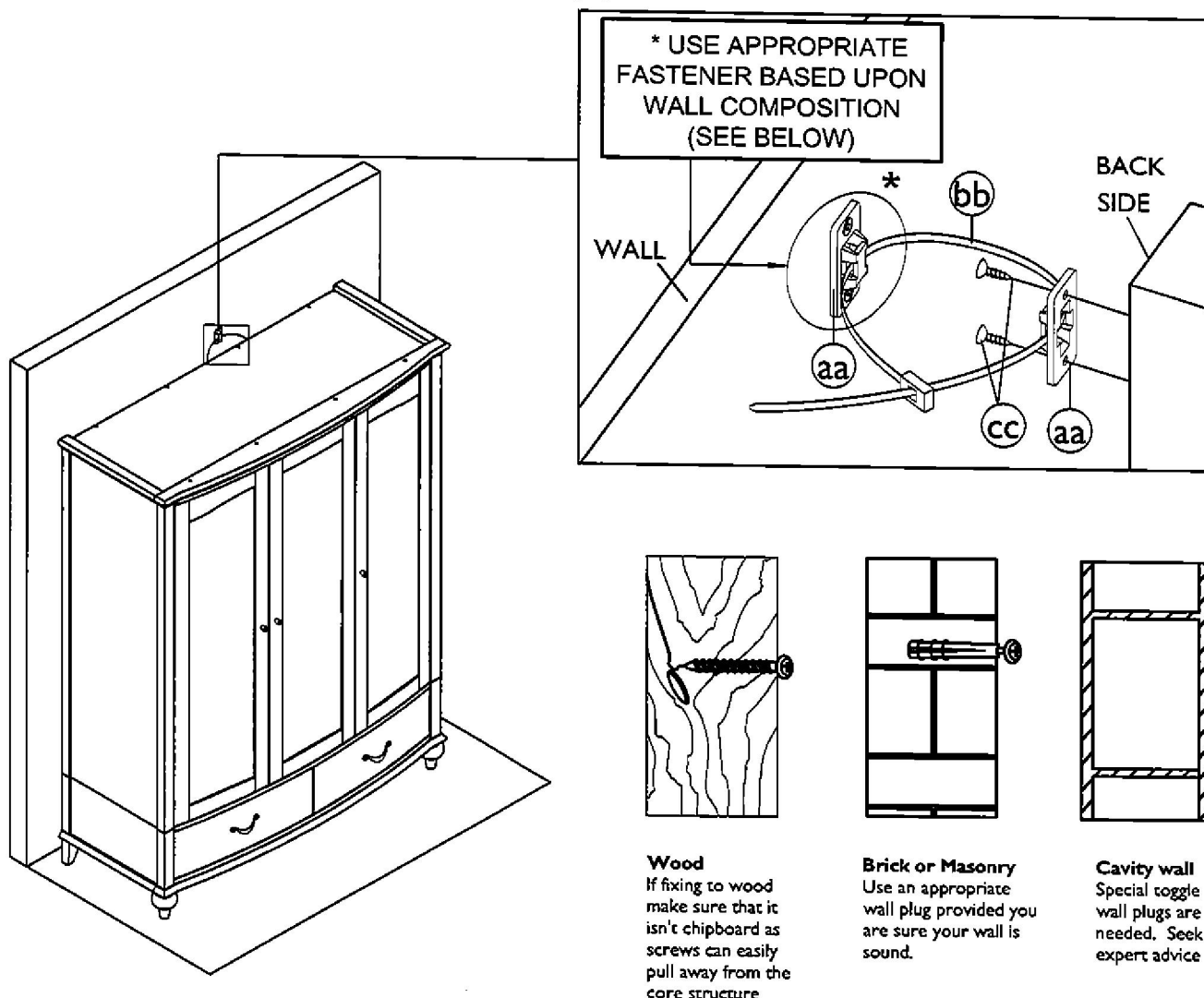
TIP KIT INSTRUCTIONS

Notice:

Notice: To prevent injury and property damage from unexpected tipping of furniture, we highly recommend installation of the anti-tip kit included with this product.

Attaching furniture to wall with anti-tip kits

1. Determine where the piece is to be placed and mark location on the wall for the mounting bracket screw holes. They should be placed approximately 1" below the top on the back of the piece of furniture.
 2. Drill the hole and use the appropriate wall plug that is suitable for your walls composition.
- Warning:** Before drilling check wall for hidden pipes and cables.
3. Attach the mounting bracket vertically to the wall using appropriate fastener, through the holes in the bracket and 2 wall plugs that are suitable to your wall and then tighten securely.
 4. Next using the short screws attach the 2nd bracket to the back of the piece of furniture's top.
 5. Lace the nylon strap down through the brackets. Slide the thin end of the strap through the receiving end on the nylon strap. Pull to tighten the piece of furniture snug against wall.



CARE INSTRUCTIONS:

1. Hardware may loosen overtime. Periodically check that all connections are tight and re-tighten as necessary.
2. Wipe with a soft, dry cloth. To protect finish, avoid the use of chemicals and household cleaners.

Care and Maintenance

Wood Furniture

Wood displays different grain patterns depending on which way they are cut - for example, the 'medullary ray' which can appear on oak furniture is a mark of good quality timber - these are just characteristics of the natural beauty of the wood.

Some furniture is also deliberately aged and rustic.

Wood veneers also allow distinctive patterns to be created on some surfaces, such as table tops and drawer fronts by the way slivers are arranged.

All timber and veneer surfaces will change colour and mellow over time. New furniture will initially vary in shade from items that have been previously purchased.

How to care for your wood furniture

Dust with a clean, damp, lint free cloth. Frequent dusting will remove abrasive build up, which can damage the finish over time.

Do not use a very wet cloth or allow any liquid to contact with the veneers for a long period of time as this can permanently damage the surface. Wipe up spills immediately.

Do not use any abrasive cleaner or harsh detergent as this can damage the surface of the furniture.

Spray polishes are best avoided as they contain silicones which may spoil the furniture's surface when building up over time.

Make sure all surfaces are protected from heat and liquids by mats and coasters.

Ensure that a mat or pad is placed under paper when you are writing on the furniture surface.

Do not place rubber, cork, vinyl or plastic materials on the wood finish as chemicals within may react with the finish if left in contact for an extended period of time.

Our furniture will endure most temperatures in the home but it is best to avoid placing furniture next to heat sources such as radiators or fires. Be particularly careful with solid wood as the lack of humidity caused by home heating can cause damage such as warping, cracking or splitting.

Excessive exposure to sunlight can cause fading of your furniture.

Avoid exposing your furniture to any liquids. All liquids should be wiped up immediately with a soft, slightly damp cloth in the direction of the wood grain. If sticky liquid residues do occur, they may be removed with a dilute solution of warm soapy water followed by a clean, damp sponge. The area should then be wiped immediately in the direction of the wood grain with a clean, soft white cloth until completely dry.

Nail polish remover, hairspray, perfume, potpourri & any other products that contains solvents can damage wood upholstery finishes.

Safety Instructions:

Never drag furniture when moving it. Always lift it.

Periodically check all fixings to ensure none have come loose. Re-tighten when necessary.

Please take care when handling or moving the furniture as careless handling may cause damage or injury.

Furniture can be dangerous if incorrectly assembled. Assembly should be carried out by a competent person.

No liability will be accepted for damage or injury caused by incorrectly installed or assembled furniture.

Heavy item warning:

It is recommended to seek assistance when moving a heavy object. Take care when lifting to avoid personal injury and (or) damage to the product.

It is recommended that before moving a heavy object to a new location it is completely dis-assembled to avoid personal injury or damage to the furniture. Please be careful to retain all fittings when doing this.

PLEASE KEEP THESE INSTRUCTIONS FOR FUTURE REFERENCE

Page : 24

IW-17-629X-823-0

MS
28/1/16

OK

An 06.01.16

DA
06.01.16

Tung
16.01.16
page 5, 14, 15